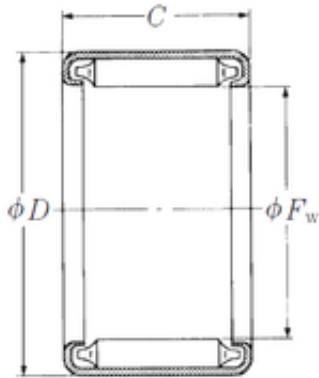




# HMSA BEARING MANUFACTURING LIMITED



GATES B-128 LAWNMOWER V BELT - 5/8 X 131". - NOS.

Bearing No. B-128

Size	19.05x25.4x12.7 mm
Bore Diameter	19,05 mm
Outer Diameter	25,4 mm
Width	12,7 mm
Fw	19,05 mm
D	25,4 mm
C	12,7 mm
Weight	0,015 Kg
Basic dynamic load rating (C)	13,5 kN

B-128 Bearing 2D drawings and 3D CAD models