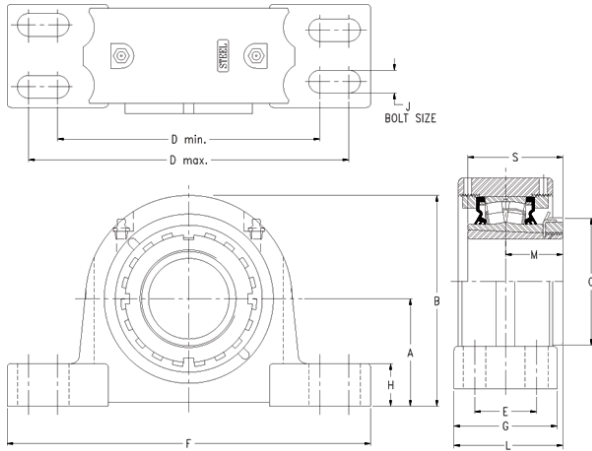




HMSA BEARING MANUFACTURING LIMITED



timken TAPG11K050S Solid Block/Spherical Roller Bearing Housed Units-Tapered Adapter Four-Bolt Pillow Block

Bearing No. TAPG11K050S

TAPG11K050S Bearing 2D drawings and 3D CAD models

| | |
|--------------------------|------------------------|
| Engineering Group | Mounted Bearing |
| Shaft Size | 50 mm |
| Shaft Size Type | Metric |
| Full Timken Part Number | TAPG11K050SB |
| Locking Style | Tapered Adapter |
| Weight | 19 lb |
| Housing Style | Four-Bolt Pillow Block |
| UPC Code | 0883450126373 |
| Dimension A | 2.75 in |
| Dimension B | 5.31 in |
| Dimension C | 2.95 in |
| Dimension D Max | 8.56 in |
| Dimension D Min | 7.18 in |
| Dimension E | 1.57 in |
| Dimension F | 9.88 in |
| Dimension G | 2.700 in |
| Dimension H | 1.25 in |
| Dimension J (Bolt Size) | 0.625 in |
| Dimension L | 2.75 in |
| Dimension M | 1.4 in |
| Dimension S | 2.32 in |
| C0 - Static Load | 31900 lb |
| C - Dynamic Load (Basic) | 31400 lb |
| e - Geometry Factor | 0.23 |
| Y1 - Geometry Factor | 2.95 |



HMSA BEARING MANUFACTURING LIMITED

| | |
|---------------------------------------|-----------|
| Y2 - Geometry Factor | 4.40 |
| Oil Lubrication - M/N Seal | 2200 rpm |
| Oil Lubrication - T Seal | 3800 rpm |
| Oil Lubrication - B/C/O Seal | 1800 rpm |
| Grease Lubrication - M/N Seal | 2200 rpm |
| Grease Lubrication - T Seal | 3200 rpm |
| Grease Lubrication - B/C/O Seal | 1600 rpm |
| Float | 0.050 in |
| Shaft Tolerance | 0.0030 in |
| Pre Install Clearance Min | 0.0030 in |
| Pre Install Clearance Max | 0.0037 in |
| Int Radial Clearance Reduction Min | 0.0012 in |
| Int Radial Clearance Reduction Max | 0.0015 in |
| Adapter Sleeve Axial Movement Min | 0.018 in |
| Adapter Sleeve Axial Movement Max | 0.022 in |
| Post Install Int Radial Clearance Min | 0.0015 in |