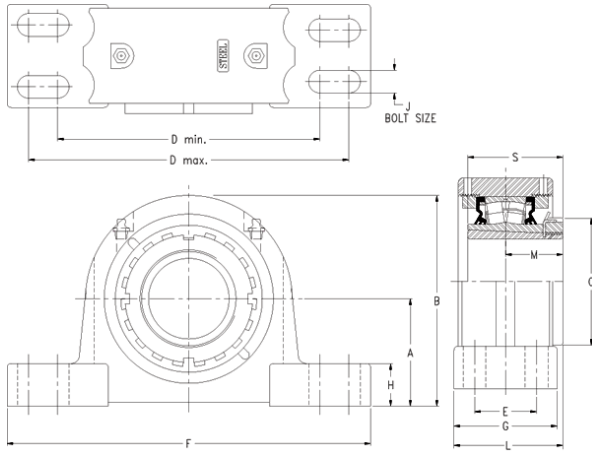




# HMSA BEARING MANUFACTURING LIMITED



## timken TAPG11K115S Solid Block/Spherical Roller Bearing Housed Units-Tapered Adapter Four-Bolt Pillow Block

Bearing No. TAPG11K115S

TAPG11K115S Bearing 2D drawings and 3D CAD models

Engineering Group	Mounted Bearing
Shaft Size	1-15/16 in
Shaft Size Type	Imperial
Full Timken Part Number	TAPG11K115SB
Locking Style	Tapered Adapter
Weight	19 lb
Housing Style	Four-Bolt Pillow Block
UPC Code	0883450126472
Dimension A	2.75 in
Dimension B	5.31 in
Dimension C	2.95 in
Dimension D Max	8.56 in
Dimension D Min	7.18 in
Dimension E	1.57 in
Dimension F	9.88 in
Dimension G	2.700 in
Dimension H	1.25 in
Dimension J (Bolt Size)	0.625 in
Dimension L	2.75 in
Dimension M	1.4 in
Dimension S	2.32 in
C0 - Static Load	31900 lb
C - Dynamic Load (Basic)	31400 lb
e - Geometry Factor	0.23
Y1 - Geometry Factor	2.95



## HMSA BEARING MANUFACTURING LIMITED

Y2 - Geometry Factor	4.40
Oil Lubrication - M/N Seal	2200 rpm
Oil Lubrication - T Seal	3800 rpm
Oil Lubrication - B/C/O Seal	1800 rpm
Grease Lubrication - M/N Seal	2200 rpm
Grease Lubrication - T Seal	3200 rpm
Grease Lubrication - B/C/O Seal	1600 rpm
Float	0.050 in
Shaft Tolerance	0.0030 in
Pre Install Clearance Min	0.0030 in
Pre Install Clearance Max	0.0037 in
Int Radial Clearance Reduction Min	0.0012 in
Int Radial Clearance Reduction Max	0.0015 in
Adapter Sleeve Axial Movement Min	0.018 in
Adapter Sleeve Axial Movement Max	0.022 in
Post Install Int Radial Clearance Min	0.0015 in