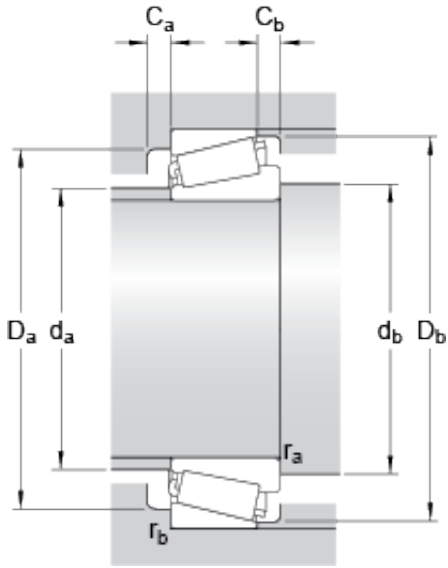




HMSA BEARING MANUFACTURING LIMITED



33021 Bearing 2D drawings and 3D CAD models

Free samples of 33021 skf fag bearing
105*160*43MM

Bearing No. 33021

Dimension series	2DE
d	105 mm
D	160 mm
T	43 mm
d ₁	131.5 mm
B	43 mm
C	34 mm
r _{1,2} min.	2.5 mm
r _{3,4} min.	2 mm
a	30.783 mm
d _a max.	117 mm
d _b min.	117.5 mm
D _a min.	145 mm
D _a max.	149.5 mm
D _b min.	153 mm
C _a min.	7 mm
C _b min.	9 mm
r _a max.	2.5 mm
r _b max.	2 mm
Basic dynamic load rating C	303 kN
Basic static load rating C ₀	430 kN
Fatigue load limit P _u	45.5 kN
Reference speed	3200 r/min
Limiting speed	3800 r/min
Calculation factor e	0.28



HMSA BEARING MANUFACTURING LIMITED

Calculation factor Y	2.1
Calculation factor Y_0	1.1
Mass bearing	3.02 kg